

solo[®]

444 / 450

Operating manual

Mistblower

Important:

Read this instruction manual carefully before putting the chain saw into operation and strictly observe the safety regulations!



Dear Customer,

We congratulate you on your new SOLO Mistblower and hope that you will be satisfied with this modern tool.

A state-of-the-art single cylinder two-cycle engine with Nikasil coated cylinder bore combined with renowned SOLO technology of high performance with low fuel consumption will guarantee a high degree of application value of this product.

Read this operating manual carefully before using the machine for the first time and at all times, strictly observe all safety rules.

To retain peak performance of your SOLO Mistblower over a long period we recommend you carefully observe all maintenance instructions.

Should you require any further information after carefully studying this manual, please contact your specialist SOLO Dealer.

In the best interest of continued technological progress we reserve the right to change the design and configuration of any product without prior notice.

For that reason, no claims can be accepted with reference to text and illustrations in this manual.

CE Declaration of conformity

SOLO Kleinmotoren GmbH, Stuttgarter Strasse 41, D-71069 Sindelfingen, certifies that the following product in the version as supplied

Description of product:	Mistblower	
	444	450
Model/type description:		
Sound power level (ISO 3744) guaranteed	99	100 dB(A)
measured	98	99 dB(A)

complies with the following EU guide lines: 98/37/EC, 2000/14/EC and RL - 2004 - 108 EC for electromagnetic compatibility.

Applied standards:


ISO 12100 part 1, part 2, DIN EN 294

Conformity assessment procedures: Appendix V

Serial number, Build year → Type plate

This Declaration of Conformity will become invalid if the product is modified, changed or altered without prior approval.

Sindelfingen, 1st January 2008
SOLO Kleinmotoren GmbH


Wolfgang Emmerich
Managing Director

The following symbols are used in this manual and on the product:



Thoroughly read these operating instructions before undertaking any maintenance, installation and cleaning steps



Always handle this power tool with particular care



Prohibited



Wear eye and ear protection



A breathing mask should be worn when using poisonous chemicals



Do not smoke



No open flame



Starting of engine



Switch off engine



Wear protective gloves



fuel mixture



choke open



choke closed

Parts subject to wear and tear

Various parts are subject to application-specific or normal wear and must be replaced in good time, when required. The following parts are subject to normal wear and are not covered by the manufacturer's guarantee:

- Air filter
- Fuel filter
- All rubber parts which come into contact with fuel
- Spark plug
- Starter

Index

	Page
1. Important Components / Type plate	4
2. Technical Specifications	6
3. Safety regulations	7
3.1 <i>Correct use / Notes for General Use</i>	7
3.2 <i>General safety instructions</i>	7
3.3 <i>Personal protective equipment for your safety</i>	7
3.4 <i>Protection of Environment</i>	7
3.5 <i>Operating Hints</i>	7
4. Maintenance and Care	8
4.1 <i>General Maintenance Hints</i>	8
4.2 <i>Fuel-Information</i>	8
4.3 <i>Spark Plug</i>	9
4.4 <i>Preparation for Storage</i>	9
4.5 <i>Carburettor adjustment</i>	9
4.6 <i>Air Filter Maintenance</i>	10
5. Assembly	11
5.1 <i>Assembly of misting equipment</i>	11
5.2 <i>Assembly of handle, spray tube and spray nozzle</i>	11
6. Starting / Stopping the engine	12
7. Operating Hints	13
7.1 <i>Adjustment of shoulder straps</i>	13
7.2 <i>Filling</i>	13
7.3 <i>Misting</i>	13
7.4 <i>Residual spray medium</i>	14
7.5 <i>Strainer for accessory sets</i>	14
7.6 <i>Checking the spray medium flow rate</i>	14
7.7 <i>Draining and cleaning the tank</i>	15
7.8 <i>Application</i>	15
8. Maintenance Plan	16
9. Motorised sprayer - accessories	17
10. For USA only: ECW Statement / Manufacturers Warranty Coverage	17

Guarantee

The manufacturer guarantees trouble-free quality and will cover the cost of replacing parts which are found to be faulty in material or workmanship within the prescribed guarantee period after the date of purchase. Please note that specific guarantee conditions may vary from country to country. If in doubt, ask your equipment vendor. He is responsible for guarantee matters.

We hope you will understand that we cannot be liable for damage resulting from the following causes:

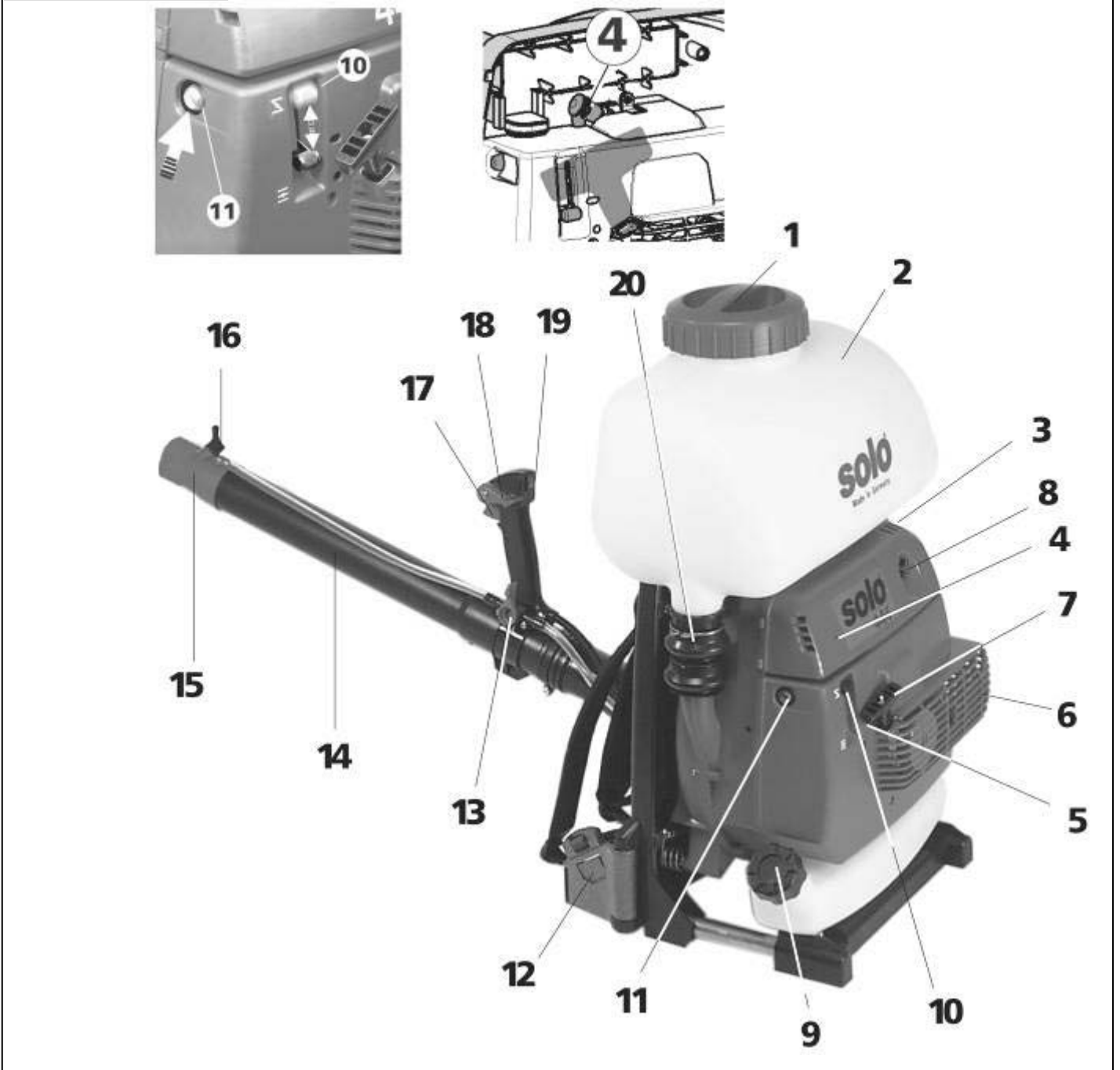
- Non-compliance with the operating instructions.
- Neglecting essential maintenance and repair work.
- Damage caused by incorrect carburettor adjustment.
- Wear in normal use.
- Obvious overload by continuously exceeding the maximum performance limit of the product.
- Using non-authorised tools.
- Use of force, incorrect treatment, misuse and accidents.
- Damage from excessive heat due to dirt build-up around the cooling fan housing.
- Attempted adjustments and repairs by unqualified persons.
- Use of unsuitable spare parts or third party parts, if these are the cause of the defect.
- Use of unsuitable or stale fuel.
- Damage caused by using the product in the hire or rental industry.

Normal cleaning, adjustments or maintenance work fall outside the guarantee provisions.

A service centre authorised by the manufacturer must carry out all guarantee work.

1. Important Components / Type plate

Fig. 1a, Type 444



Type plate:

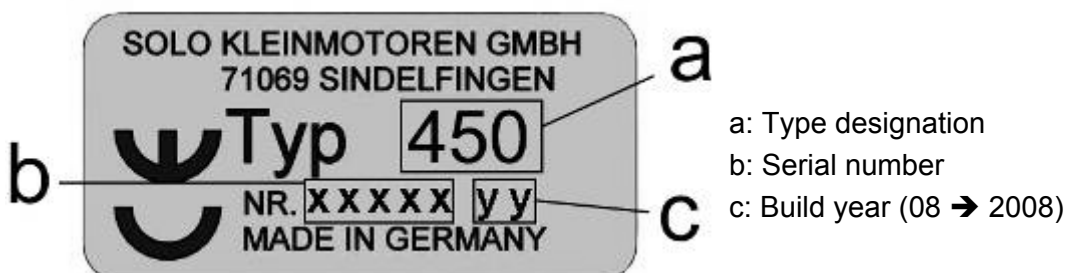
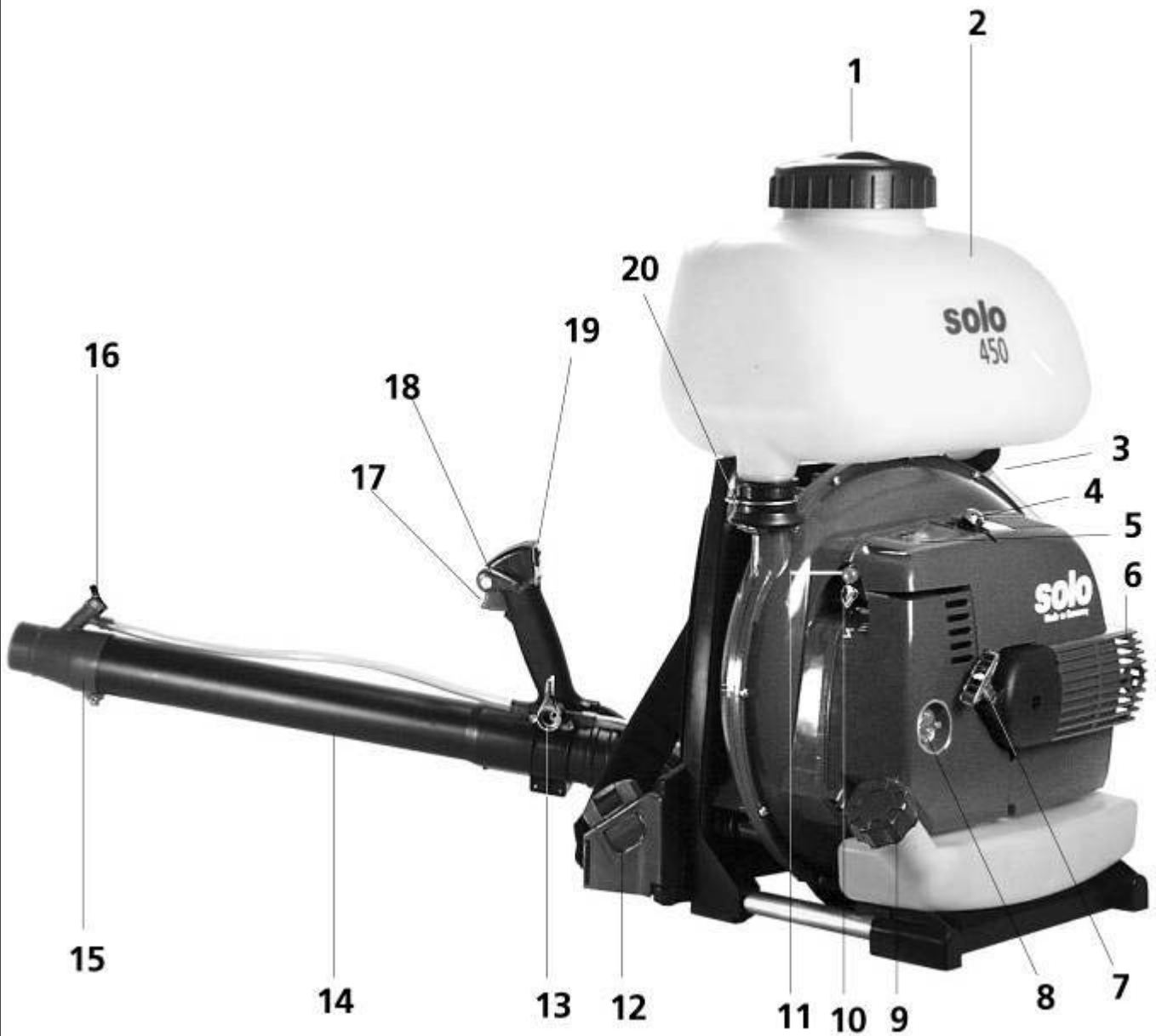


Fig. 1b, Type 450



- | | |
|---|------------------------------------|
| 1. Tank lid / Filler basket with filter | 11. Primer |
| 2. Formula tank | 12. Shoulder strap – quickcoupling |
| 3. Formula outlet | 13. Formula On-off tap |
| 4. Spark plug | 14. Spray tube |
| 5. Carburetor adjustment screws | 15. Spray nozzle |
| 6. Muffler | 16. Dosage sleeve |
| 7. Starter handle | 17. Throttle lever |
| 8. Air filter cover | 18. Throttle lock lever |
| 9. Fuel tank cap | 19. Stop switch |
| 10. Choke | 20. Tank ventilation |

2. Technical Specifications


Mistblower		444	450
Engine type		SOLO single cylinder two-stroke engine	
Engine capacity	cm ³	40,2	53
Bore / stroke	mm	40 / 32	42 / 38
Fuel tank capacity	l	1,5	1,9
Fuel mix ratio:	with SOLO 2T Oil with other two-stroke oils	1:50 (2%) 1:25 (4%)	
Carburettor		All-position diaphragm carburettor with primer and integrated fuel pump	
Air filter cartridge		Paperstyle	
Ignition		Electronically controlled magneto ignition, maintenance free	
Total Formula Tank Capacity	l	13	13 / 21 (Typ 450-02)
Nominal Formula Tank Capacity	l	12	12 / 20 (Typ 450-02)
Strain funneled mesh size	mm	0,55	
Residual volume which the equipment cannot properly apply	ml	< 100	
Strainer for accessory sets mesh size	mm	0,32	
Max. Blower Air Volume	m ³ /h	900	1100
Weight	kg	9,5	10,8
Dimensions without Spray Tube	mm	hight: 690 width: 500 depth: 260	hight: 690 width: 550 depth: 280
Medium idling speed	rpm	2900	
In determining the following values regarding the acceleration of vibrations and sound, the different operating conditions were weighted in accordance with the current standards			
Sound pressure level L _{Peq} (EN ISO 3744)	dB(A)	89	90
Sound power level L _{Weq} (EN ISO 3744)	dB(A)	97	99
Weighted effective acceleration a _{hv,eq} (EN ISO 5349)	m/s ²	< 2	< 2


3. Safety regulations


3.1 Correct use / Notes for General Use


- The mistblower is suitable for the application of crop protection products which have been approved by the responsible, local Registration Authority. The output quantity can depend on the position of the spray tube.
- If the spray tube is held upwards at an angle exceeding 30 deg. from the horizontal position, the installation of a liquid booster pump may be necessary. The booster pump is available as an accessory.
- With the use of a granulate attachment (available as special attachment- without liquid pump), the mistblower can be used to spread granular fertilizer, fish food granules or for the spreading of grass seed.
- The mistblower, without using the formula tank, also doubles as air blower to remove fallen leaves, grass clippings, paper, dust or snow in parks, gardens, sports arenas, parking lots or drives (without liquid pump).
- The mistblower may only be used for the jobs it has been designed for – **and no other!**
- Always observe all safety hints while using the machine.

3.2 General safety instructions

 Some parts on the machine have been removed for transport purposes. Prior to first use, the mistblower has to be completely assembled. (Fig.4a – 4d) This mistblower may only be started and used when completely assembled.

 Read the operating instructions carefully before placing in service and keep them in a safe place. First time users should be instructed by the seller or an expert.


 The operator is liable towards others within the operating area of the mistblower.



 Only operate the mistblower when in good physical condition. Fatigue and illness lead to carelessness and accidents. Proceed in a careful and alert manner.


Never use a machine while under the influence of alcohol or drugs.

The air exit speed from the nozzle is very high. Never point the nozzle towards persons or animals.

3.3 Personal protective equipment for your safety

 To prevent injuries to head, eyes, hand, feet or damage to hearing, the following protective equipment should be worn:

  Clothing should be appropriate for the job, i.e. not too loose and not too tight to be hindering. Do not wear work coat, shorts or sandals. The operator should not wear a scarf, a necktie or jewelry which may get caught by branches.

 Protect your face and eyes with a face guard or safety glasses.

 A breathing mask should be worn when using poisonous chemicals

To avoid damage to hearing, the operator should wear suitable personal noise protection such as ear muffs, ear plugs or similar.

Wear firm work shoes with non-slip soles.

Always observe accident prevention regulations issued by local trade organizations or workers compensation boards.

3.4 Protection of Environment

Be aware of your surroundings

- Watch out for animals which may be within your work area
- Be aware that noise is harmful to the environment. Inquire about and respect possible local rest periods.

3.5 Operating Hints

- Approach the target object with the engine at idling speed. Accelerate to full engine speed, then open formula on-off tap.
- No other persons should be present within a circle of 15 meters from the operator. Watch out for children and animals. Objects carried by the air stream can deflect and injure nearby persons.
- Never operate on unstable ground watch out for any obstacles such as tree stumps, tree roots, ditches etc..
- Take special care while working along slopes.
- Never touch a hot exhaust.

4. Maintenance and Care

4.1 General Maintenance Hints

After a running in period of approx. 5 hours, all accessible screws and nuts (except for carburetor mixture adjustment needles) have to be checked and re-tightened if required. Any service jobs, other than those described in this manual, should only be carried out by an authorized service center.

- Any cleaning, maintenance or repair jobs should only be performed when the engine is stopped and with removed spark plug cap. The exception, of course, is carburetor tuning

Maintenance Guide Lines

- Any service jobs, other than those described in this manual, should only be carried out by an authorized service center. Only original parts may be used for any maintenance and service work.
- Never modify your motorized mistblower – your personal safety is at risk.
- Never service or store the machine near an open flame.
- Regularly check the fuel tank lid for sealing and tank ventilation. Only use recommended spark plugs. Check ignition cable for any damage.
- Never operate a motorized mistblower with a damaged muffler or without muffler (fire risk and risk of damage to hearing). Do not touch hot muffler.



For transport in a vehicle, ensure the mistblower is well secured to avoid fuel spillage.

- Completely empty the fuel tank before extended storage or shipment.

4.2 Fuel-Information



Petrol and Oil

The engine of your motorized mistblower is a high performance 2-cycle engine and has to be operated with a fuel/oil mix or with a special, pre-mixed fuel for 2-cycle engines available from specialized dealers.

Important: For the fuel mixture, use lead-free regular (standard) petrol, lead-free Euro-petrol or lead-free Super (premium) petrol. The minimum octane rating is 92 ROZ.

Mixing Ratio:

We recommend a mixing ratio of 1 part of oil to 50 parts fuel (1:50 - 2%) with the use of special 2-cycle oil SOLO 2T Oil.

When using other 2-cycle oils we recommend a mixture ratio of 1:25 (4%). Note: Never store fuel mixture for longer than 3-4 weeks.

Fuel mixture table

Petrol in litres	Oil in litres	
	SOLO 2T Oil 2% (1:50)	Other two-stroke oils 4% (1:25)
1	0,020	0,040
5	0,100	0,200
10	0,200	0,400

Running Instructions:

For the first 5 tank fillings, also when using special 2-cycle oils, use a mixing ratio of 1:25 (4%)!

- Smoking or open flame is prohibited.
- Allow engine to cool before re-fueling.
- Fuel may contain solvent-like substances. Avoid skin and eye contact with mineral products. Wear gloves while refueling. Frequently change and clean protective clothing. Do not inhale fuel vapors.
- Do not spill fuel or oil. In case of spillage, immediately wipe off mistblower. Do not allow fuel mix to contact clothing. If fuel mix is spilled on clothing, change clothing immediately
- Ensure fuel or oil do not contaminate soil (environmental protection). Always use a suitable protective soil cover.
- Do not re-fuel in unventilated rooms. Fuel vapors collect at ground level (danger of explosion).
- Transport and store fuel and oil only in approved and clearly marked containers. Children should have no access to fuel or oil.
- Ensure you do not inhale exhaust fumes while using the machine. The use of the motorized mistblower is prohibited in closed rooms.



The handling of fuel requires caution and consideration. It is imperative that all safety instructions are observed!

- Only refuel when the engine has been stopped!
- Clean the area around filler inlet before refueling.
- Remove tank lid and fill fuel mix up to the lower edge of the filler neck. Do not overfill. If possible, always use a fuel funnel with filter.
- Replace and secure fuel tank lid.


4.3 Spark Plug

The correct spark plug with thermal range 200 is available under the following brands:

BOSCH WSR6F

CHAMPION RCJ-6Y or similar

The correct electrode gap is 0.5 mm.

 Check the plug after every 50 operating hours and replace if electrodes are worn.

4.4 Preparation for Storage

Store the motorized mistblower in a dry room. Cover the unit and keep inaccessible to children.

Treatment with special anti-corrosion oil is not required if the mistblower is normally used with SOLO 2T Oil two-cycle oil in the fuel mixture.

For extended storage, completely empty the fuel tank.

4.5 Carburettor adjustment

The carburettor has been adjusted optimally at the factory. Subject to the operational altitude (mountains or low lying areas), the carburettor may require readjustment.

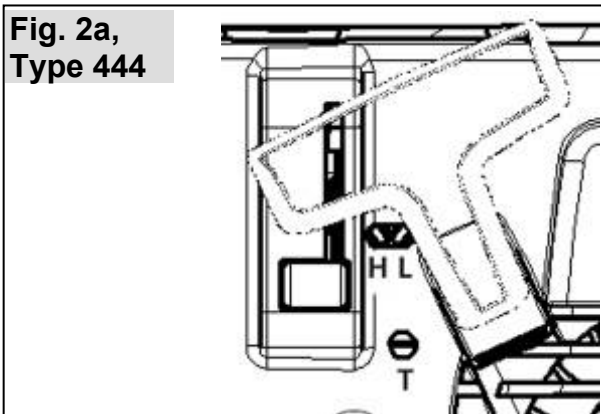
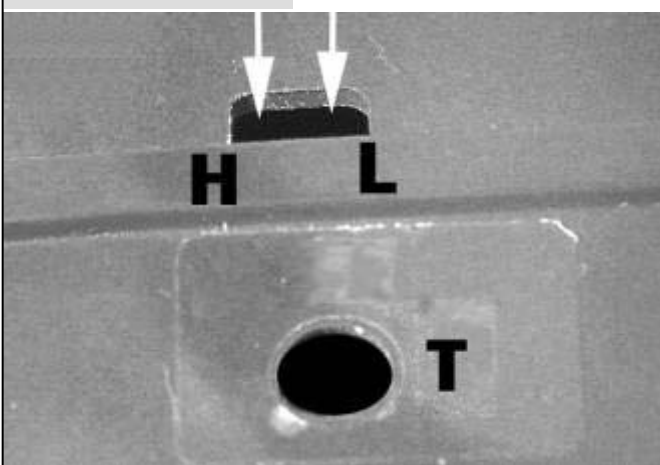



Fig. 2b, Type 450



The carburettor has 3 adjusting screws:

- Idling end-stop screw "T"
- Low speed mixture screw "L"
- High speed mixture screw "H"

 Only qualified mechanics must adjust the regulating screws for idle mixture "L" and full load mixture "H".

Turn the idling end-stop screw "T" to adjust the idling speed in accordance with the details provided in the specification. Use an engine rev counter for this job.

- If the idling speed is too high, turn the idling end-stop screw "T" anti-clockwise.
- If the idling speed is too low (engine stops) turn the idling end-stop screw "T" clockwise until the engine runs smoothly.

If the idling speed cannot be set correctly with the idling end-stop screw "T", request an authorised service centre to tune the carburettor.

The following instructions are for authorised service shops

Information about the standard settings can be requested from the specialist workshop of our customer service department or downloaded from our Internet portal for specialist dealers at www.part-and-more.org.

D-CUT carburettors:


Use the D-CUT carburettor key to adjust the idle mixture screw "L" and the full load mixture screw "H".

Carburettors with limiter caps:

The regulating screws for idle mixture and full load mixture can only be adjusted in a limited range.

Clean the air filter before adjusting the low speed screw!

Let the engine run warm before adjusting the engine speed.

 The carburettor is tuned for optimum engine performance. Use a rev counter to tune the carburettor correctly!

Do not adjust the engine to a higher speed. Excessive engine speed can lead to major engine damage!

4.6 Air Filter Maintenance

The air filter separates and retains dirt before the air reaches the combustion chamber. This reduces engine wear.

Fig. 3a, Type 444

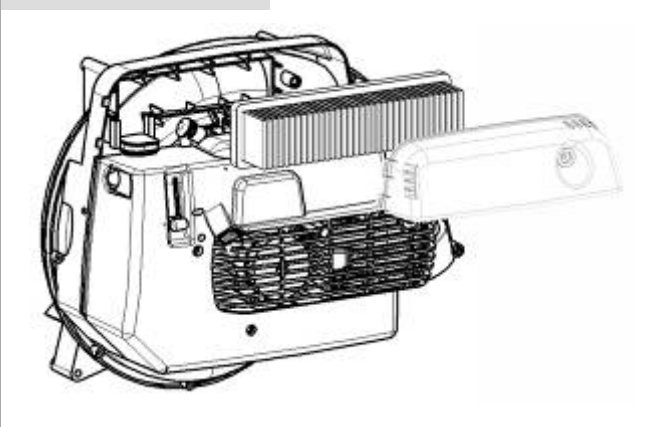


Fig. 3b, Type 450



Regular maintenance increases engine life.

Clogged air filters cause performance loss and increased fuel consumption. This leads to a higher toxin level in the exhaust gas and also makes starting more difficult.

When the machine is used all day, the air filter should be cleaned daily. In severe dust conditions clean more often in between.

For a simple cleaning procedure we recommend tapping the air filter.

Never use a high pressure air cleaner nor wet or moist cleaning. Do not use solvent or oil bath cleaners!

If engine rpm's tend to drop although the carburettor adjustments are perfectly set, the air filter cartridge is clogged and must be replaced by a new one

(Type **444**: Order-Nr. 20 48 282)

(Type **450**: Order-Nr. 20 48 280).

Never do realignments on the factory carburettor settings in order to balance a clogged air filter system. This procedure would cause engine damages due overload of the engine.

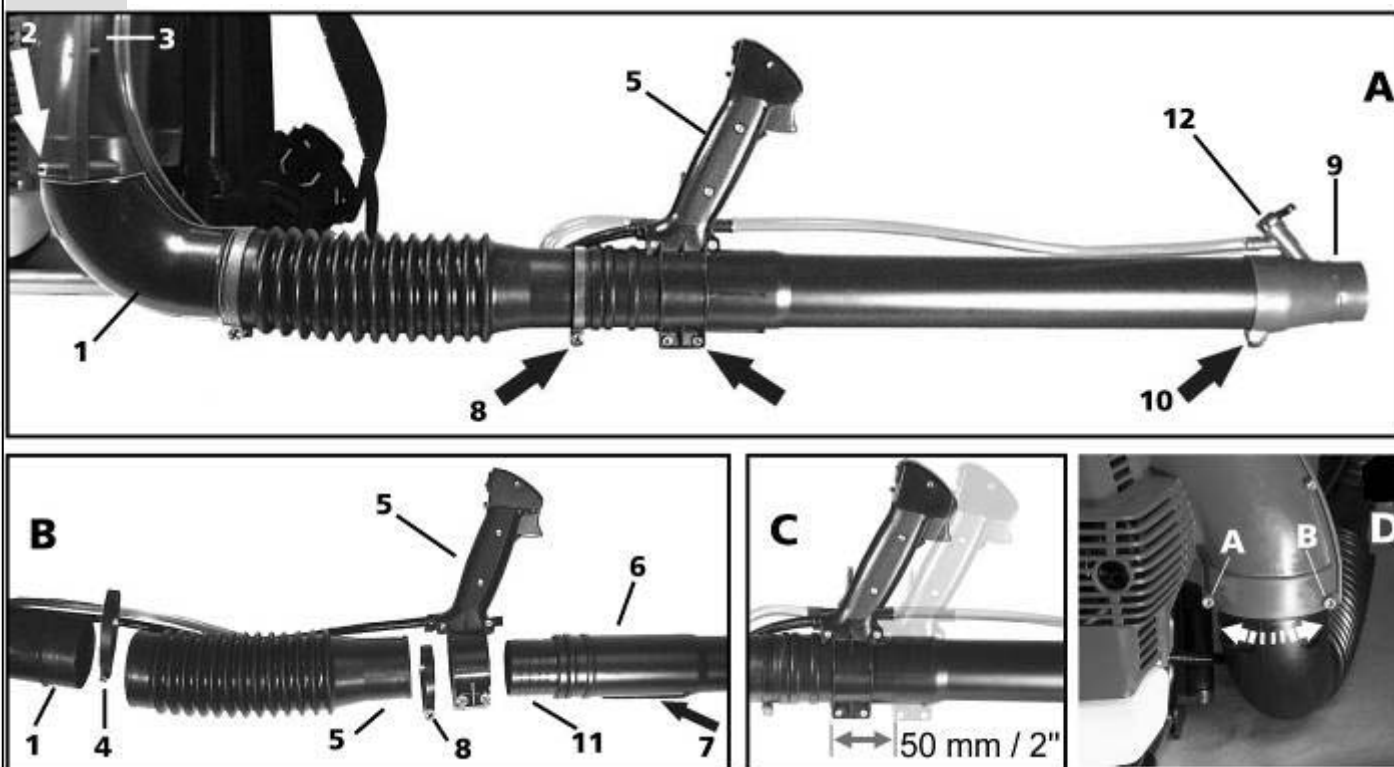
Warranty claims cannot be accepted for damaged engine parts caused by improper care and maintenance

For removal of the air filter, remove filter cover.

Remove filter cover screw (Fig. 1 Pos. 8).

5. Assembly

Fig. 4



Completely assembly the mistblower before its first use:

5.1 Assembly of misting equipment

Attach the blower elbow (1) to the blower housing and secure with both screws (Fig.4D; A+B). Ensure the elbow can swivel easily. Push pleated hose onto blower elbow and secure with clamp (4).

5.2 Assembly of handle, spray tube and spray nozzle

Push handle (5) onto spray tube (start from the front) and fix in the required position (Fig.4C). A guide (7) on the spray tube will ensure vertical positioning.

Push the spray tube with twist coupling (11) into the pleated hose (5) until locked. Secure with clamp (8).

Note: The spray tube can be twisted and turned in the pleated hose with the handle. Ensure that all hose and cable connections are safe and without sharp bends.

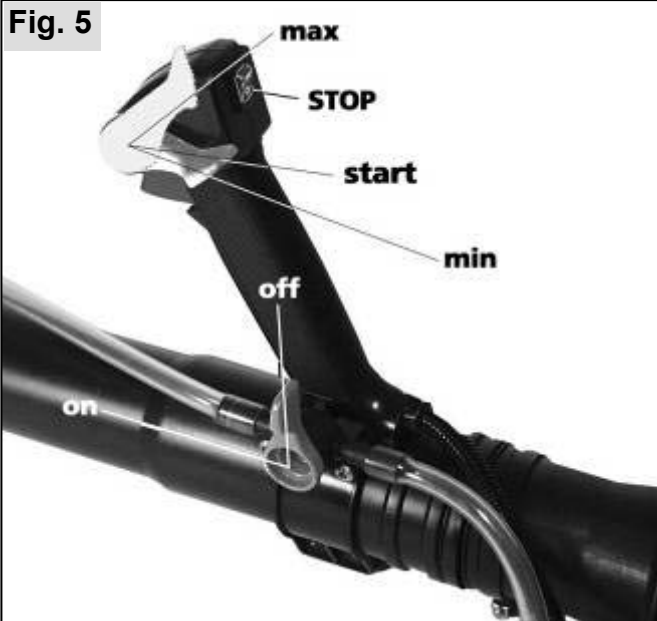
Place spray nozzle (9) on to spray tube (vertical to handle) and secure (10).

Push formula delivery hose (2 pieces) on nipple of the handle and to the spray nozzle. Secure the hose alongside the pleated hose. Shut on/off tap (vertical position), fill some plain water in formula tank and check for any leakage.

6. Starting / Stopping the engine



Starting with cold engine



- Switch ignition switch to "I" position and close (OFF) formula on/off tap .
- Move throttle lock lever to "Start" position.

Fig. 6a, Type 444

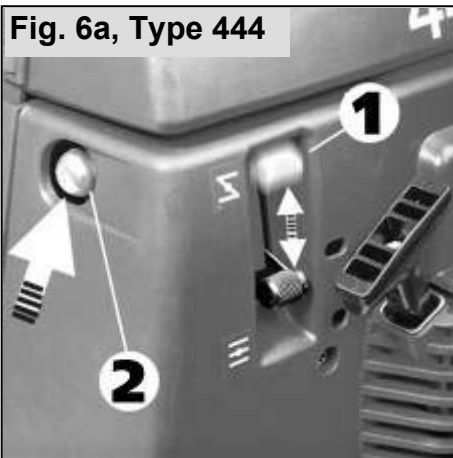
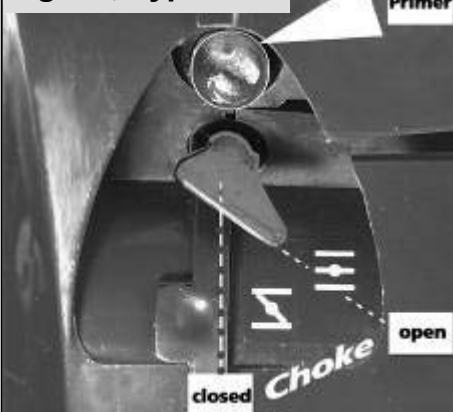




Fig. 6b, Type 450



- Close choke with choke lever. 
- Press primer several times until fuel is visible in the primer.
- Place your left hand on the formula tank of the mistblower. Hold the starter handle (Fig. 1.Pos. 7) with your right hand and pull the handle up slowly until resistance is felt. Then pull up firmly and rapidly until the engine 'fires'.
- Once the engine tries to start, immediately open the choke  and continue to start.
- When the engine runs, use the throttle lever to accelerate to the required engine speed. For continuous use, set the throttle lock lever (Fig. 1, Pos. 18) in the required position for the desired engine speed.
- To return to idling speed, either release the throttle lever or move throttle lock lever down to "min" position.

Starting with warm engine after short stop

- Leave choke in "open" position  and start engine.

Should the engine refuse to start despite several starting attempts, the combustion chamber is most likely flooded.

In this case we recommend you remove and dry the spark plug (Fig.1, 4). Set the ignition switch to "stop" and set throttle lock lever (Fig. 1, 18) to full throttle position "max". Pull over engine several times, still with spark plug removed. This will ventilate the combustion chamber

Replace spark plug and repeat starting procedure.



Shutting off engine

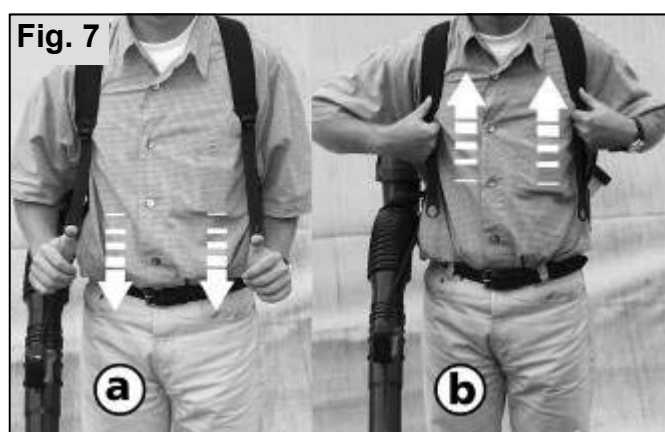
- Release throttle lever and move throttle lock lever to "min" position.
- Move ignition switch to "Stop" position until engine stops.

7. Operating Hints

Before every use and before every start of the mistblower check and ensure the machine is in good and safe condition. (throttle operation, ignition switch, safety devices, shoulder strap and check for fuel leaks).

- During the starting procedure and while operating the mistblower, the operator must have secure footing and have a safe body position.
- The engine starting site should be at least 3 meters away from the refueling site.

7.1 Adjustment of shoulder straps



Place the mistblower on the back and connect to quick couplings (Fig.1, 12) on either side.

The straps can be adjusted to the required length with friction slides. Simply pull down both strap ends to tighten straps (a).

Strap tension can be released by lifting both friction slides (b).

Note:

The shoulder straps are correctly adjusted when the back plate of the mist-blower rests firmly against the back of the operator.

7.2 Filling

- For filling the equipment, always use the strainer inside the filler neck and observe the filler area through the filling process.
- Prevent any direct contact between the external filling hose and the tank contents.
- The spray medium must not be allowed to enter the water mains through backslash.
- When filling with spray medium ensure, that neither environment, nature nor the water mains ever make contact with the spray medium.
- Prevent the tank from overflowing, the contamination of public water, foul water and drainage channels.
- The strainer has a mesh size of 0.55 mm. Only use original SOLO strainers, part no.: 42 00 104 with standard mesh size.

7.3 Misting

Open formula on/off tap: Lever in horizontal position – ON – (Fig.5).

Shut formula on/off tap: Lever in vertical position –OFF – (Fig.5).

The liquid output volume is adjusted by turning the dosage sleeve to different positions.

Misting Output Guide Type 444

Dosage sleeve	A *)	B	C
Position 1	0,8 l/min	0,6 l/min	0,7 l/min
Position 2	1,4 l/min	0,9 l/min	1,2 l/min
Position 3	1,9 l/min	1,8 l/min	1,9 l/min
Position 4	2,6 l/min	2,4 l/min	2,5 l/min

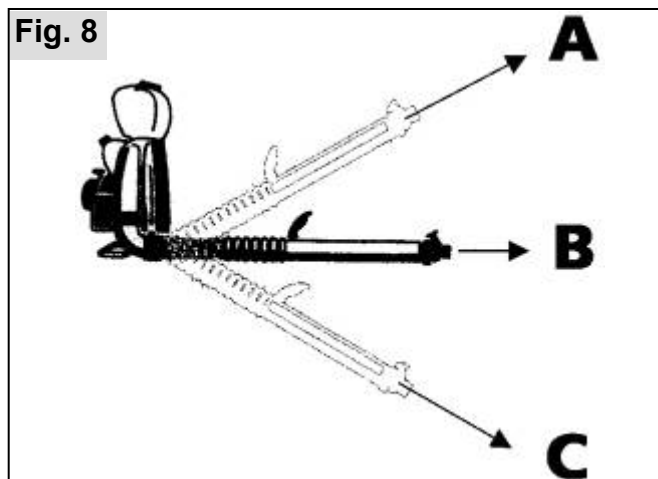
Misting Output Guide Type 450

Dosage sleeve	A *)	B	C
Position 1	0,8 l/min	0,6 l/min	0,7 l/min
Position 2	1,4 l/min	1,0 l/min	1,2 l/min
Position 3	1,9 l/min	1,9 l/min	1,9 l/min
Position 4	2,6 l/min	2,6 l/min	2,9 l/min

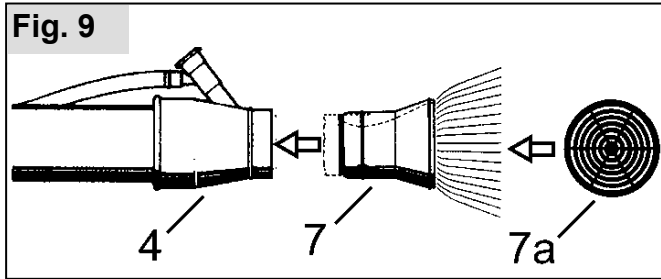
*) The delivery values when using a liquid pump (accessories) apply to every position of the spray wand.

Note: The liquid pump attachment comprises a special metering body, which should be installed when using a liquid pump.

Please note: When using a liquid pump, ensure that the tank contains sufficient liquid. The liquid pump can sustain severe damage, if it is permitted to run dry. When using the equipment as a mister and as blower, remove the pump for that reason.



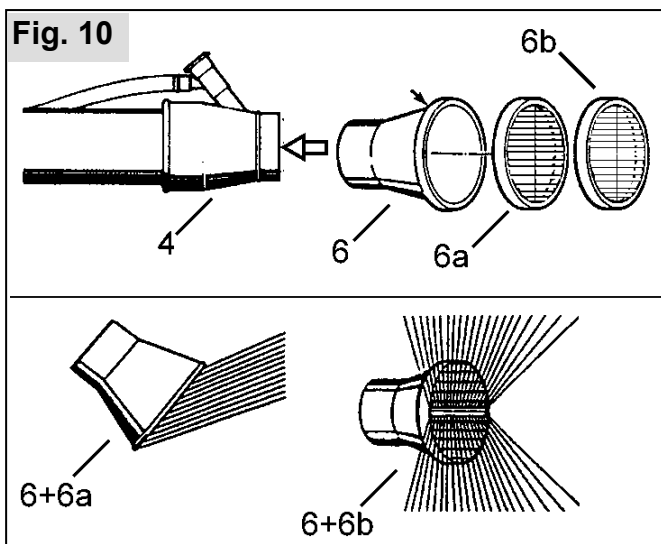
Wide-range nozzle (7):



When spraying plants and trees we recommend fixing the wide-range nozzle (7) onto the red standard nozzle (4). This ensures that a large area can be sprayed at one time. Push the wide-range nozzle onto the standard nozzle, until the bead engages.

In narrow spaces and for aftercare, we recommend placing the wide-angle grille (7a) onto the wide-range nozzle. This ensures that the spray velocity is reduced and the spray is applied more widespread, to prevent damage to leaves.

Nozzle attachment (6):

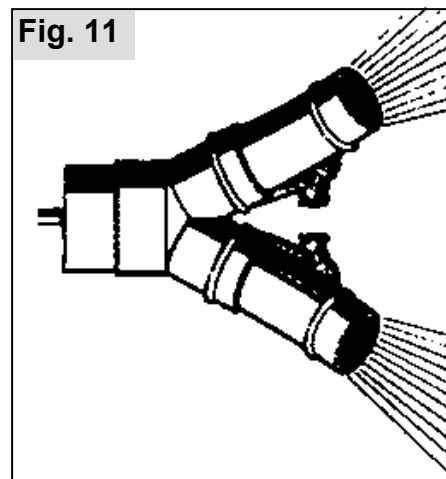


The nozzle attachment (6) is positioned onto the standard nozzle (4) with the selected grille.

Use the dual grille (6a) when spraying cultures in rows (e.g. vines, tomatoes, nurseries), to achieve a good covering on the underside of the leaves.

The deflector grille can be replaced with a dual grille (6b). The dual grille provides a 90° - 110° spray pattern. The dual grille is usually used for spraying two rows at a time. The deflector grille and the dual grille can be placed onto the external diameter of the nozzle, until the bead engages.

Dual nozzle (accessories, part no.: 49 00 137):



Remove standard nozzle (4) from the spray wand and push the dual nozzle onto the spray wand.

7.4 Residual spray medium

Switch off the appliance as soon as no further liquid is expelled, when the metering body is correctly positioned for spraying, or air bubbles are visible inside the lance supply hose.

The tank will then contain less than 100 ml residual medium.

If you don't want to refill the tank with spray medium and you want to terminate spraying, dilute the residual medium with 2 l of water. Dispose of this solution on the treated area.

7.5 Strainer for accessory sets

When using the liquid pump (accessory part no.: type 444 → 44 00 114, type 450 → 44 00 235) or the ULV accessory (part no.: 49 00 479), a strainer is integrated into the tank connector.

The strainer has a mesh size of 0.32 mm. Only use original strainer part no.: 25 00 198 with standard mesh size when replacing the strainer.

7.6 Checking the spray medium flow rate

At the beginning of the spraying season, check whether the equipment flow rate (l/min) still corresponds to the „Guide values“ table (see also item „Maintenance schedule“).

For this, fill the equipment up to the maximum marker with water, start using the equipment and spray for one minute exactly at maximum operating pressure. Then measure the water volume required to bring the water level back up to the maximum marker.

The actual volume measured represents the flow rate of the equipment in l/min at maximum operating pressure.

It should not deviate by more than 10 % from those listed in the „Guide values“ table. Should the actual value be too low, sediments inside the metering body may be the cause. Clean the corresponding parts and repeat the checking procedure.

Should the actual value be too high, the metering body may be worn or damaged. In that case, replace the metering body with a new one (part no.:40 74 165).

When using accessory sets (liquid pump part no.: type **444** → 44 00 114, type **450** → 44 00 235 or ULV accessory, part no.: 49 00 479) a strainer will be integrated into the tank connector.

In that case, an incorrect flow rate can also be due to a contaminated or worn strainer.

Clean or replace the contaminated/worn strainer (part no.: 25 00 198).

7.7 Draining and cleaning the tank

For cleaning purposes, the tank can be fully drained into a suitable container via the supply hose.

For this, the engine must be cooled down.

Position the equipment onto a stable higher support, so that the spray medium can drain into a suitable container below.



Above the container, pull the supply hose from the shut-off valve.

If required, tip the equipment slightly to drain the tank completely.

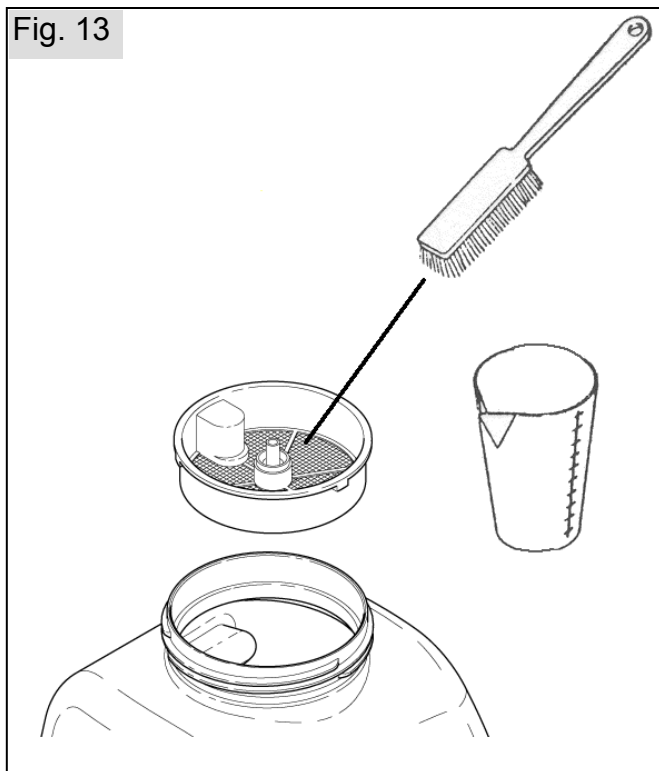
Ensure that the spray medium does not run over the equipment (especially the engine), but drains directly into the suitable container.

Dispose of residual spray medium correctly at disposal sites licensed for specialised waste.

Empty the spray medium tank daily after work and flush thoroughly with water.

Observe cleaning instructions supplied with the herbicide/fungicide.

After cleaning, let the spray medium container dry in an open state.



Occasionally clean the strainer inside the filler neck, the strainer in the accessory set and all parts in contact with the medium, with water and a soft brush.

7.8 Application

According to its type designation, this equipment is suitable for:

- Agriculture,
- horticulture,
- orchards,
- green spaces,
- vineyards,
- nurseries;

8. Maintenance Plan

The following information is based on standard operating conditions.
For special conditions, such as prolonged daily use, the recommended maintenance intervals should be reduced accordingly.

Implement all maintenance jobs regularly. If required, authorise a specialist service centre to maintain the machine for you. The owner of the machine is responsible for:

- Any damage caused by a lack of maintenance, incorrect or late maintenance and repairs
- Consequential losses - including corrosion - from incorrect storage

		before starting work	daily	weekly	after the first 5 hours	after every 50 hours work	as required	before spray season
Carburettor	Check idling speed	X						
	Adjust idling speed						X	
Air filter	Clean		X					X
	Replace						X	
Spark plug	Check the electrode gap and adjust, if required					X		X
	Replace						X	
Cooling air inlet	Clean			X			X	X
Cylinder fins	Clean			X				X
Fuel tank	Clean					X		X
All accessible screws (except for adjusting screws)	Retighten				X		X	X
Operating handle	Check function	X						
Overall Unit	Visual inspection	X						
	Clean						X	X
Spray medium flow rate	Check							X
Spray medium tank	Clean		X					
Strainer inside the filler neck	Clean						X	X
Strainer for accessory sets	Clean						X	X
Metering body	Clean						X	X
Soundness of all equipment parts	Check	X						X
Hand valve function	Check	X						X

9. Motorised sprayer - accessories

	Part no.
Dual nozzle For extending the spray width or for simultaneous spraying of two rows of plants	49 00 137
ULV nozzle	49 00 479
ULV metering equipment	49 00 169
Liquid pump type 444	44 00 114
Liquid pump type 450	44 00 235
Extension wand, 60 cm Multiples can be combined in conjunction with the liquid pump	49 00 333
Mister attachment incl. 20 l bottle	49 00 550
SOLO plant protection unit cleaner in a metering bottle 500 ml	49 00 600

10. For USA only: ECW Statement / Manufacturers Warranty Coverage

For **USA** only



Emissions Control Warranty Statement

The Environmental Protection Agency and Solo are pleased to explain the emission control system on your small non-road power equipment engine. In the US new small non-road engines must be designed, built, and equipped to meet the Environmental Protection Agency's standards. Solo must warrant the emission control system on your small non-road engine for the period of time listed below provided there has been no abuse, neglect, or improper maintenance of your small non-road engine.

Your emission control system includes parts such as the carburetor, the ignition system, and the exhaust system.

Where a warrantable condition exists, Solo will repair your small non-road power equipment engine at no cost to you including diagnosis, parts, and labor.

Manufacturers Warranty Coverage

Solo's small non-road power equipment engines are warranted for a period of two years. If any emission control related part on your engine is defective, the part will be repaired or replaced by Solo.

Contact Information for Authorized Service Center Locations, Replacement Parts, Warranty and Technical Information

Warranty repairs **must** be completed by a SOLO

Authorized Service Center.

SOLO USA, Inc.

1-800-765-6462

5100 Chestnut Avenue

techserv@solousa.com

Newport News, VA 23605

solo[®]

Made in Germany



SOLO
Postfach 60 01 52
D 71050 Sindelfingen

Tel. 07031-301-0
Fax 07031-301-130
info@solo-germany.com

SOLO
P.O.Box 60 01 52
D 71050 Sindelfingen
Germany
Phone+49-7031-301-0
Fax +49-7031-301-149
export@solo-germany.com